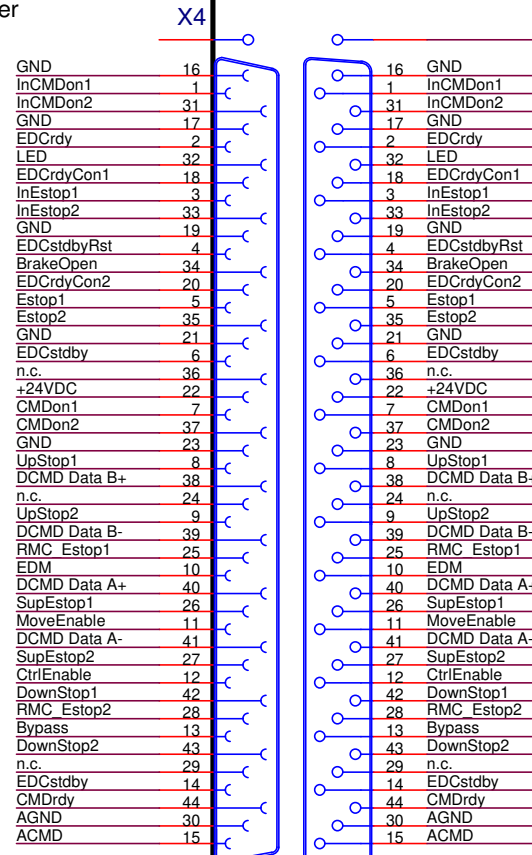
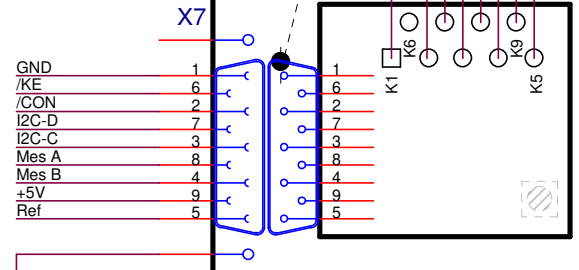
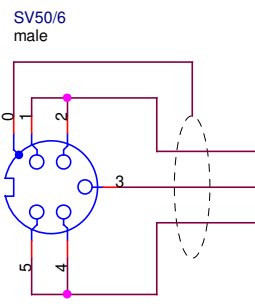
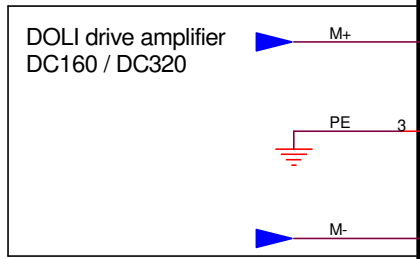
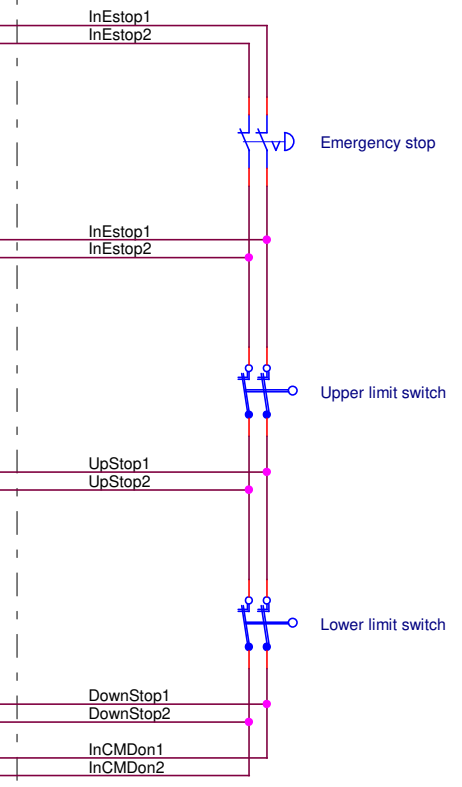


EDCi22 / EDCi52 / EDCi72
with internal drive amplifier

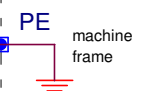
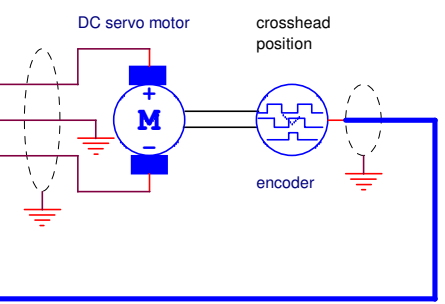


ST-SUBD HD 44 M

Screw driven testing machine



incremental sensor plug
for example: 9IL
K1 DGND
K2 R+
K3 B+
K4 A+
K5 A-
K6 +5V
K7 R-
K8 B-
K9 +5V



Parameter selection in Installation Center
General Data --> Drive Interface

External Device Monitoring (EDM)	DISABLE
Estop Supply	ENABLE
Up Stop Switch	DRIVE_OFF
Down Stop Switch	DRIVE_OFF

min. 6mm²

DOLI GmbH Adi-Maislinger-Str.7 D-81373 München www.DOLI.de		
File: EDCi_DOLI_Power_Amplifier.DSN / GRS		
Title EDCi_DOLI_Power_Amplifier		
Size A3	Document Number EDCi_DOLI_Power_Amplifier	Rev 3.1
Date: Friday, May 15, 2020	Sheet 1	of 1